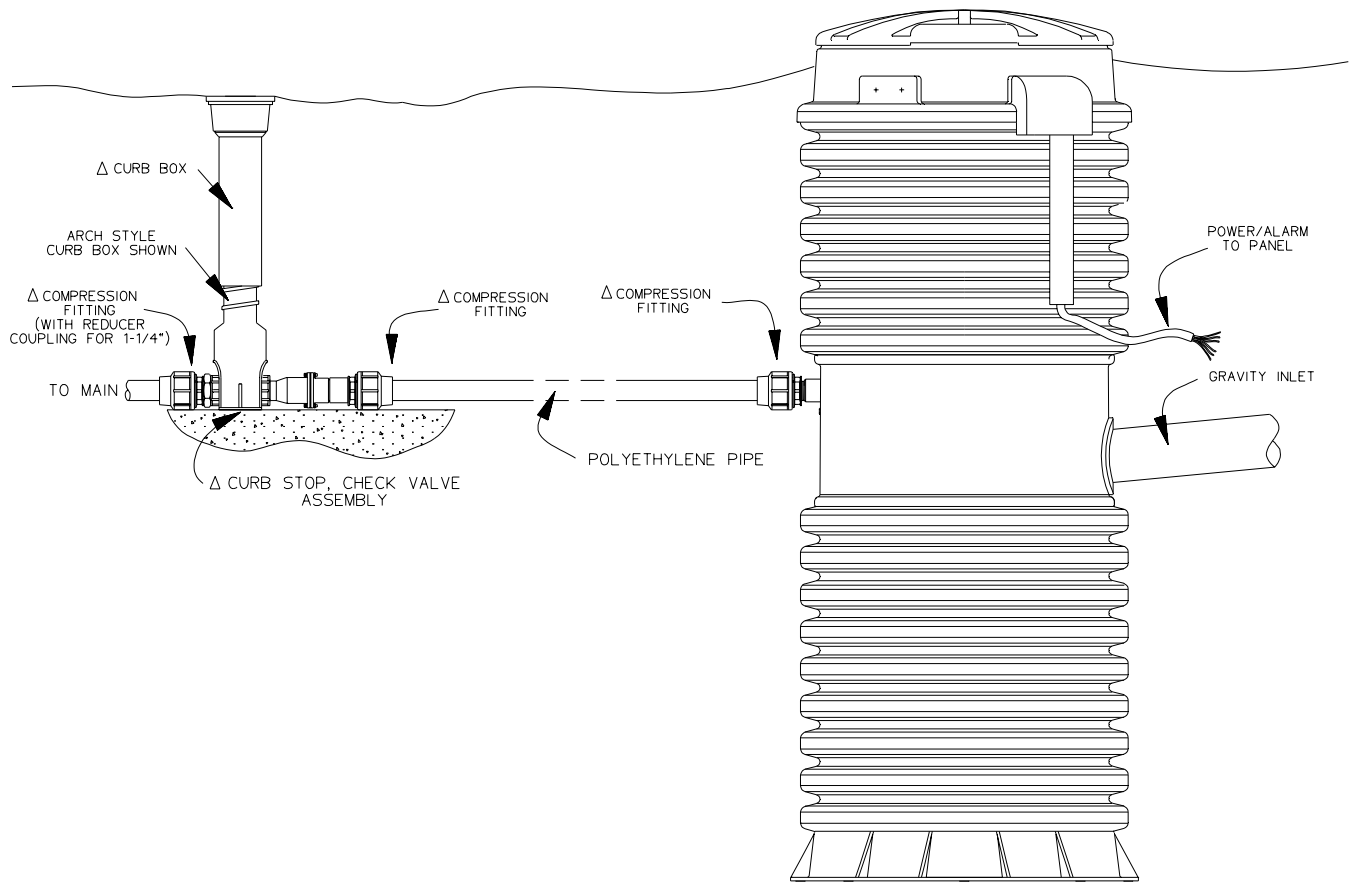
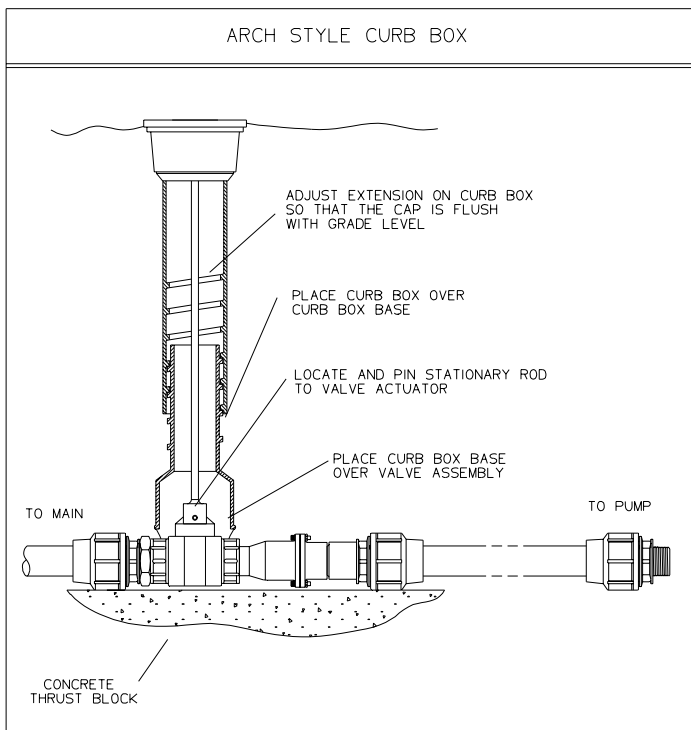


TYPICAL PLASTIC LATERAL INSTALLATION, SDR 11 HDPE PIPE



MODEL 2010
(NOTE: BALLAST NOT SHOWN)



*FOR ORDERING INFORMATION SEE PA1372P01 LATERAL ORDER CODE

INSTALL ALL UNDER GROUND PIPING PER
ASTM D 2321-89

INSTALL GRINDER PUMP STATION PER
GRINDER PUMP INSTALLATION INSTRUCTIONS

Δ - INCLUDED IN LATERAL KIT

APS	CH	09/21/01	C	1/16
DR BY	CHK'D	DATE	ISSUE	SCALE



TYPICAL PLASTIC LATERAL INSTALLATION
SDR 11 HDPE PIPE, ARCH STYLE

PA1333P03